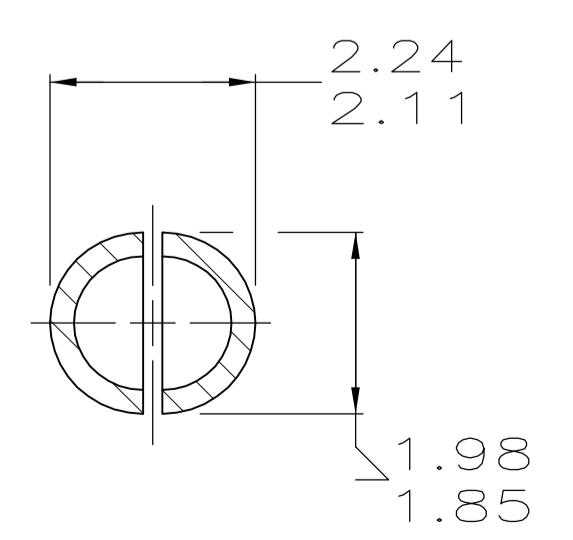
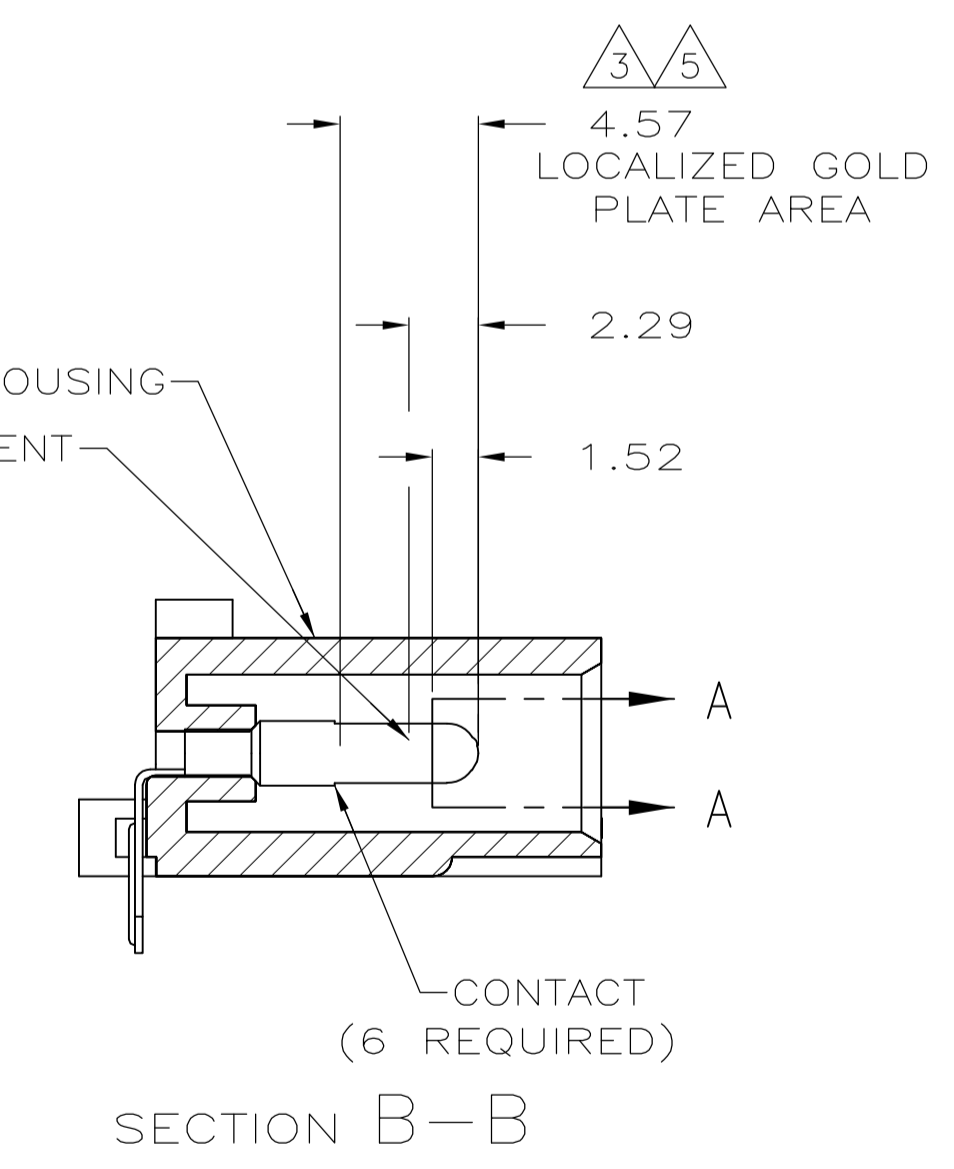
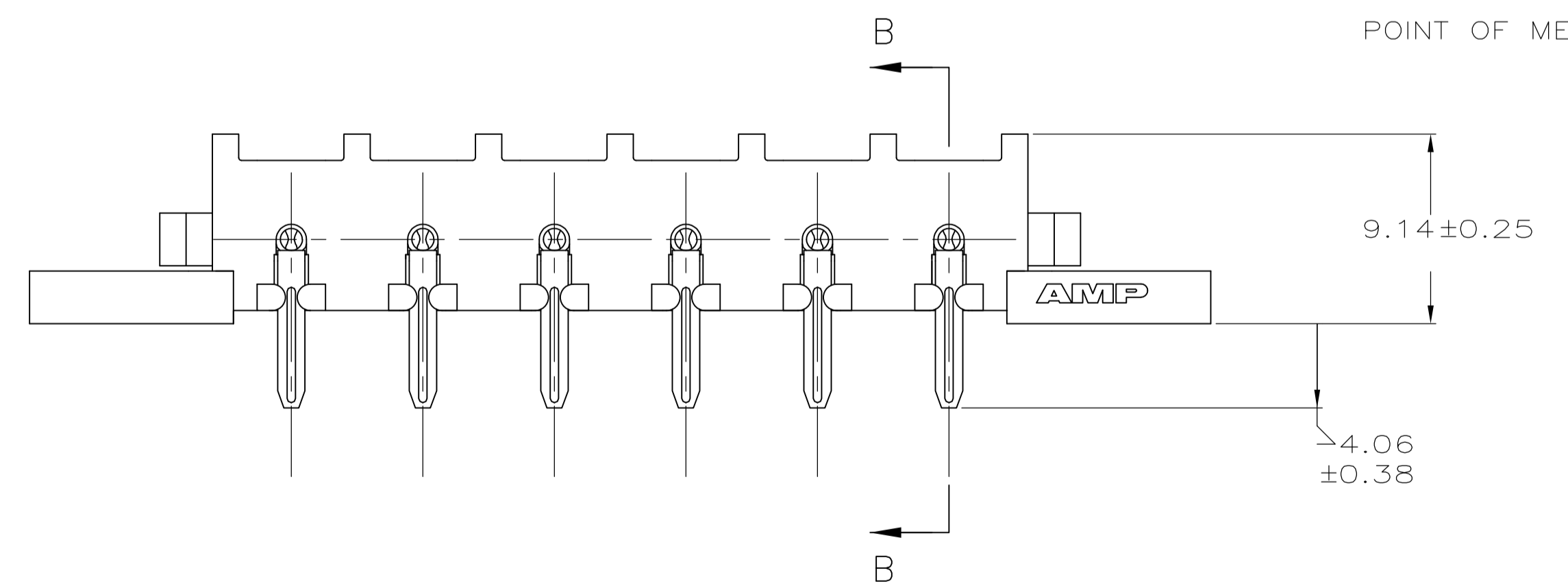
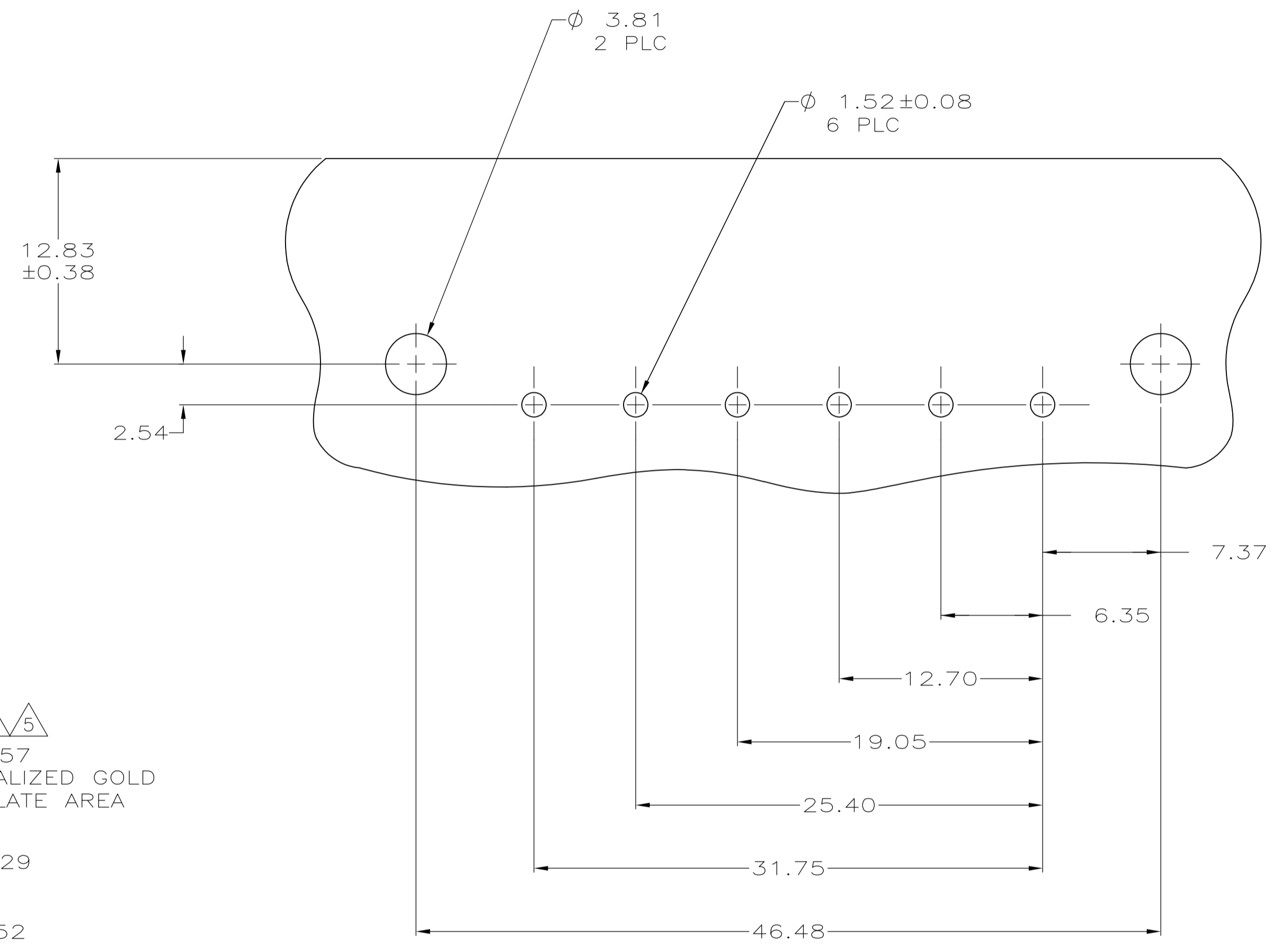
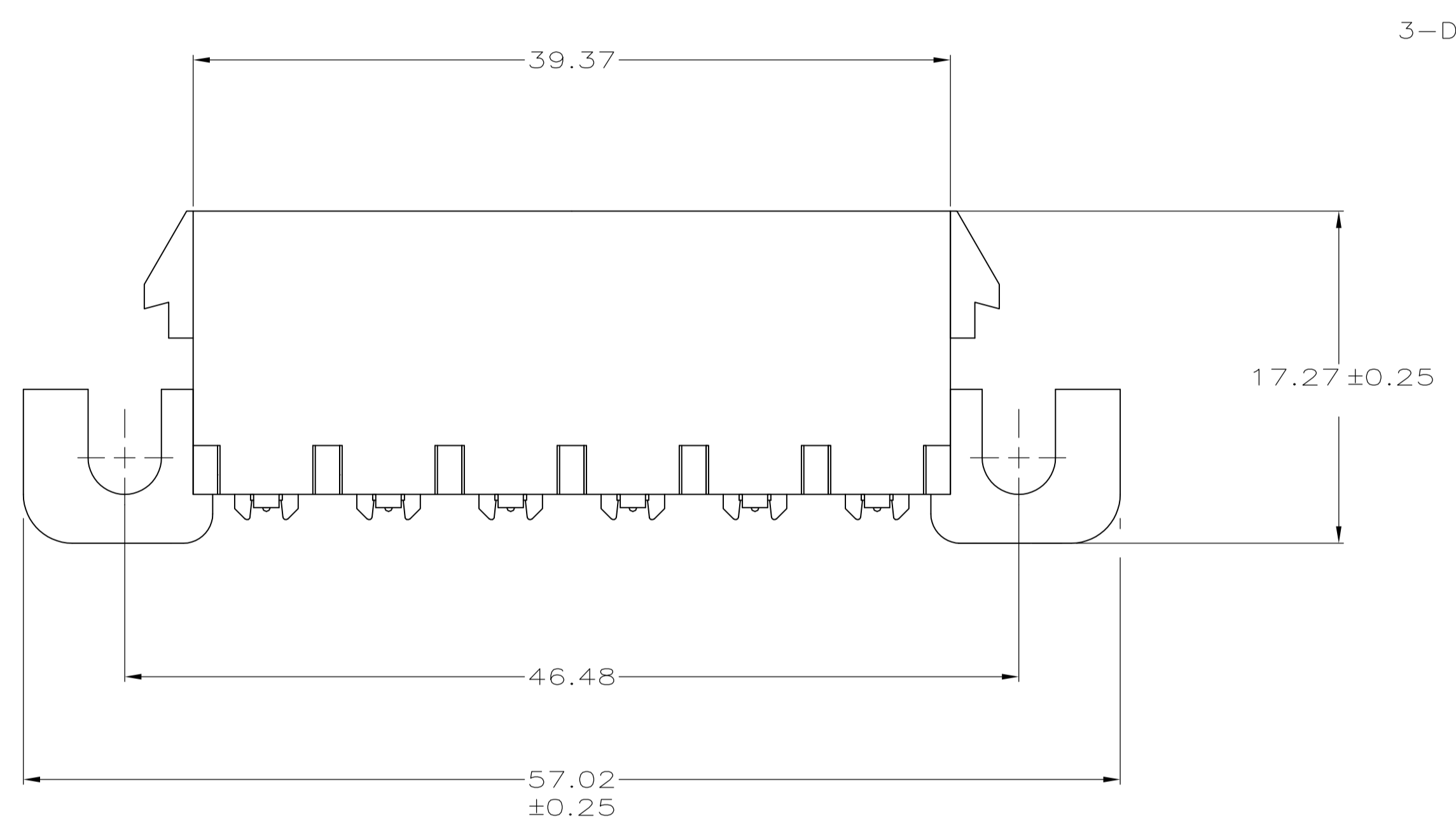


- 1 PARTS COMPLY WITH AMP SOLDERABILITY SPECIFICATION 109-11-5.
- 2 CIRCUIT IDENTIFICATION CHARACTERS ARE ADJACENT TO THE INDICATED CAVITIES, BUT LOCATION AND ORIENTATION MAY DIFFER FROM PRINT.
- 3 CONTACT IS PLATED OVERALL WITH 0.00127 MIN NICKEL, THEN 0.00076 GOLD OVER CONTACT LENGTH INDICATED AND MATTE TIN LEAD FINISH ON SOLDER TAIL END.
- 4 OPTIONAL CONSTRUCTION MAY DELETE THIS RIB.
- 5 CONTACT IS PLATED OVERALL WITH 0.00127 MIN NICKEL, THEN 0.00076 GOLD OVER CONTACT LENGTH INDICATED AND MATTE TIN FINISH ON SOLDER TAIL END.
- 6 SUPERSEDED BY 640583-3



SECTION A-A
SCALE 10:1

1.98	.078	9.14	.360	-	-
1.85	.073	7.37	.290	57.02	2.245
1.57	.062	6.35	.250	46.48	1.830
1.52	.060	4.57	.180	39.37	1.550
0.38	.015	4.06	.160	31.75	1.250
0.25	.010	3.81	.150	25.40	1.000
0.13	.005	2.54	.100	19.05	.750
0.08	.003	2.29	.090	17.27	.680
0.00127	0.000050	2.24	.088	12.83	.505
0.00076	0.000030	2.11	.083	12.70	.500
MM	IN	MM	IN	MM	IN

CONVERSION TABLE

RECOMMENDED MOUNTING HOLE PATTERN FOR 1.57 THICK P.C. BOARD

PH BRZ GOLD	5	NYLON, UL94V-0	640583-3
PH BRZ GOLD	3	NYLON, UL94V-0	640583-2
PH BRZ TIN		NYLON, UL94V-0	640583-1
CONTACT		HOUSING	PART NO

THIS DRAWING IS A CONTROLLED DOCUMENT.

DIMENSIONS: mm	TOLERANCES UNLESS OTHERWISE SPECIFIED:	DWG: K. WHITAKER 22FEB2005	CHK: S. RIDGILL 22FEB2005	NAME: S. RIDGILL 22FEB2005
0 PLC ± -	1 PLC ± -	APPROVED: S. RIDGILL 22FEB2005		
2 PLC ± 0.13	3 PLC ± -	APPLICATION SPEC		
4 PLC ± -	ANGLES ± -	SIZE: A1		
MATERIAL: SEE TABLE	FINISH: SEE TABLE	WEIGHT: -	DRAWING NO: 00779	RESTRICTED TO: -
		CUSTOMER DRAWING	SCALE: 4:1	SHEET: 1 OF 1

STE TE Connectivity
PIN HEADER ASSEMBLY, RIGHT ANGLE MOUNT, 6 POSITION, UNIVERSAL MATE-N-LOK™